



SPECIAL FEATURES:

- ✓ 35, 50 or 70 Watt High Pressure Sodium.
- ✓ 26, 32 or 42 Watt Compact Fluorescent.
- ✓ Injection Molded Polycarbonate Lens.
- ✓ Compact Design.
- ✓ Button Type Photocell Optional.

WLV SERIES SPECIFICATIONS

APPLICATION: The WLV Wall Light series is a durable, compact light source with a contemporary design which compliments any architectural decor. These units provide excellent lighting for walks, parking lots, tunnels, ramps, auto dealership sales lots and for general safety and security lighting.

LAMP TYPES: The WLV is provided with a medium base high pressure sodium lamp for use in the vertical burning position. Wattages available are 35, 50 and 70. 26, 32 and 42 watt CFL lamps are also available. See ordering chart below.

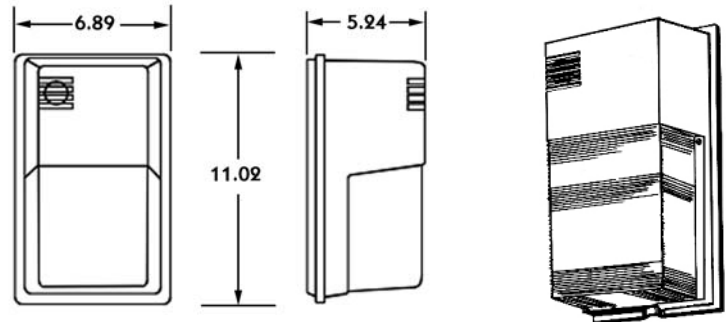
LAMPHOLDER: Heavy porcelain pulse rated 4KV with nickel plated screw shell and spring loaded center contact for HPS Units. CFL units use polymeric snap-fit socket

BALLAST: The WLV incorporates a normal power factor reactor type ballast available only in 120V. The ballast is mounted to a housing reinforcement plate, providing a heat sink for long ballast life.

BACK HOUSING: Die cast aluminum.

LENS: The WLV incorporates an impact resistant polycarbonate diffuser type lens and front cover.

LABELS: Listed by Underwriters Laboratories for WET LOCATIONS.



Ordering Guide - WLV SERIES

CATALOG SERIES	LAMP WATTAGE	VOLTAGE	COLOR	OPTIONS
WLV	35HPS, 50HPS, 70HPS 26CFL, 32CFL, 42CFL	120	DB Dark Bronze	PCB-120 Button Photocell

EXAMPLE OF A TYPICAL ORDER

WLV - 50HPS - 120 - DB - PCB-120



THE SPERO ELECTRIC CORPORATION 1705 NOBLE ROAD CLEVELAND, OHIO 44112
(216) 851-3300 - PHONE (216) 851-0300 - FAX <http://www.sperolighting.com> WLV-1