

Vaportight Stanchion Mount

VST SERIES SPECIFICATIONS

APPLICATION: Approved for use in all indoor and outdoor locations exposed to moisture and rain, corrosive fumes, non-explosive vapors and gases or non-combustible dusts. Vapor tight and rain tight. For mounting to a 1-1/4" (1.660" O. D.) pipe. Held with 3/8" hex head set screw.

HOUSING CONSTRUCTION: Stanchion type with heavy cast aluminum slipfitter. Die-cast threaded aluminum globe fitter assembly with exterior threads for optional die-cast aluminum screw-on guard.

FINISH: Standard finish is textured natural aluminum. Optional powder coat finishes are available at an additional cost. See ordering guide for complete list of finishes.

GUARD: Threaded, die-cast aluminum with stainless steel, headless hex type set-screw.

GLOBE: Threaded for easy lamp replacement. Standard globe is clear glass. Optional glass globes include prismatic, opal, blue, green, amber or red. Lexan globes in clear or colors are also available. Cast guard option is not available with Lexan globes. See ordering guide for complete list of globes.

SOCKET: Standard units include a medium base, glazed porcelain, 4KV pulse rated lampholder with nickel plated screw shell and spring loaded center contact. Compact fluorescent ballast option includes GX24Q-3 / GX24Q-4 universal 4-pin socket for 26, 32 or 42 watt triple tube lamps.

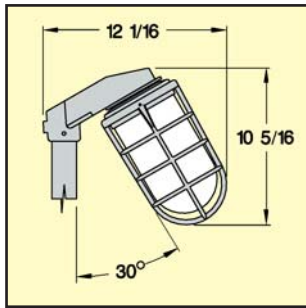
HARDWARE: All fasteners are stainless steel.

GASKETS: Memory retentive, die-cut silicone for superior sealing and heat resistance.

APPROVALS: Listed with Underwriter's Laboratories for WET LOCATIONS. C-UL Listed for Canada.



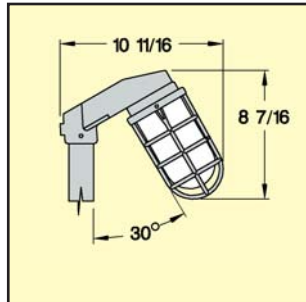
VST Series 300W



VST30-42-G



VST Series 150W



VST15-41-G

VAPORTIGHT STANCHION TYPE ORDERING GUIDE

Series	Fixture Size	Optional Globe Type			Guard Option	Color Finish Option
VST	15-41 150 Watt Max. with 3-1/2" Clear Glass Globe	No.	Description	Max.Watts	G Screw-On Die-Cast Guard Guard Option is Not Available with Lexan Globe	G0 Black G1 White G2 Red G3 Yellow G4 Blue G5 Green G6 Brown G7 Verdigris G8 Dark Bronze G9 Silver G10 Dark Green Consult factory for custom colors or color matching services.
				41 / 42		
		P	Prismatic Glass	150 / 300		
		O	Opal Glass	100 / 200		
		A	Amber Glass	100 / 200		
		B	Blue Glass	100 / 200		
		G	Green Glass	100 / 200		
		R	Red Glass	100 / 200		
		L	Clear Lexan	75 / 150		
		LP	Prismatic Lexan	75 / 150		
		LO	Opal Lexan	60 / 100		
		LA	Amber Lexan	60 / 100		
		LB	Blue Lexan	60 / 100		
		LG	Green Lexan	60 / 100		
LR	Red Lexan	60 / 100				

EXAMPLE OF A
TYPICAL ORDER

VST - 15 - 41 - O - G - GO

