

Spero
lighting

SINCE 1918

RECESSED CANOPY LIGHT



SPECIAL FEATURES:

- ✓ Available In 250, 320, 350 or 400 Watt Versions.
- ✓ Tempered Prismatic Glass Lens or Injection Molded Acrylic or Polycarbonate Drop Lens.
- ✓ Low Profile Design.



SQR SERIES SPECIFICATIONS

APPLICATION: The SQR is designed for recessed outdoor use on canopies and buildings with single layer metal deck ceilings. Its rectangular shape recesses easily into a single canopy panel, allowing the lens and fixture frame to be flush mounted with canopy ceiling. Removable reflector assembly makes ballast access possible from below the canopy. The reflector can be removed without tools.

LAMP TYPES: The SQR is designed to utilize both super metal halide and metal halide lamps in the horizontal or vertical position. Wattages available are 175, 250, 320, 350 and 400.

LAMPHOLDER: Heavy porcelain with nickel plated screw shell and spring loaded center contact. Position oriented socket is furnished for super metal halide with horizontal lamp units.

BALLAST: The SQR incorporates a high power factor type C.W.A. ballast. The ballast is mounted to housing a reinforcement plate, providing a heat sink for long ballast life.

HOUSING: Formed and welded one piece aluminum housing is designed to fit in canopy deck panel. Corners are welded and further sealed to ensure a weathertight enclosure.

FINISH: The SQR housing is finished with a superior baked-on powder coating, allowing the fixture to withstand extreme weather changes without cracking or peeling.

LAMP: Mogul base clear metal halide is furnished.

LENS: The SQR incorporates a heat and impact resistant C73 prismatic flat glass lens or obscure pattered tempered prismatic glass drop lens.

MOUNTING: Access form above is required for installation. Angle brackets to span deck panels are included to aid installation. This fixture is not intended to be mounted in closed top soffits or canopies

LABELS: Listed by Electrical Testing Laboratories for WET LOCATIONS.

IBEW - AFL UNION LABEL.



| CATALOG SERIES | LAMP WATTAGE | OPTICAL SYSTEM CHOICE | | VOLTAGE | COLOR | OPTIONS |
|----------------|---|-----------------------|---|-----------|--|--|
| SQR | 175-MH 175-SMH 250-MH 250-SMH 400-MH 400-SMH | C73 | Flat Prismatic Glass Lens with Horizontal lamp | MT 480 | WHT White Powder Coat Finish BLK Black Powder Coat Finish | SF DF Single fusing Double Fusing |
| | 175-MH 250-MH 320-SMH 350-SMH 400-MH 400-SMH | DLG | Dropped Prismatic Glass Lens with Horizontal Lamp | | For special colors consult factory. | |
| | | VDLG | Dropped Prismatic Glass Lens with ED-28 Reduced Jacket Vertical Burn Lamp | | | |

EXAMPLE OF A TYPICAL ORDER

SQR - 400-SMH - VDLG - MT - WHT - SF

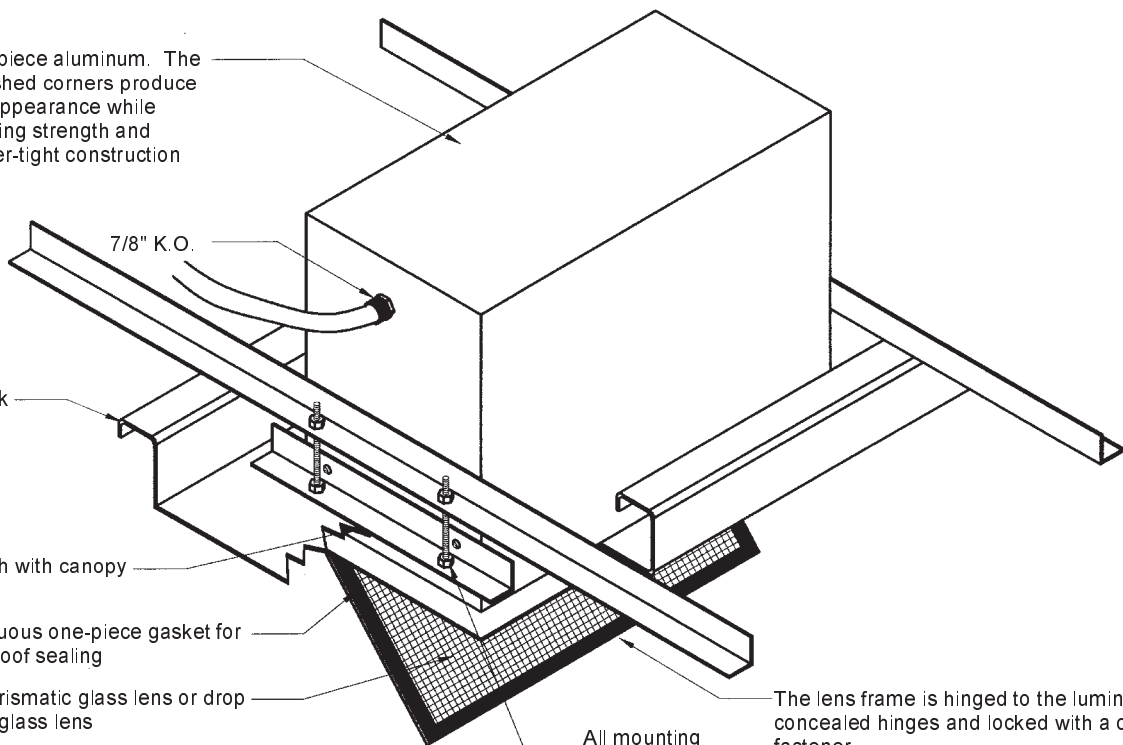
SPERO LIGHTING



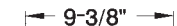
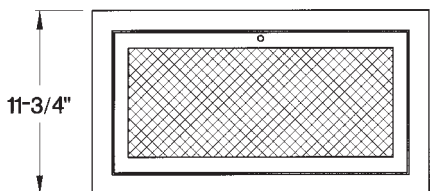
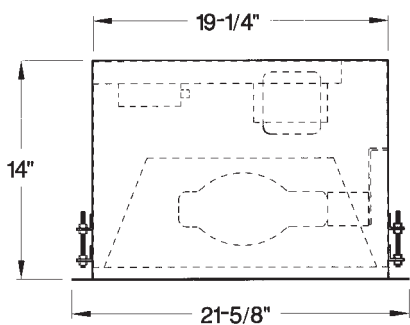
THE SPERO ELECTRIC CORPORATION 1705 NOBLE ROAD CLEVELAND, OHIO 44112
(216) 851-3300 - PHONE (216) 851-0300 - FAX <http://www.sperolighting.com> SQR-1

DATA SHEET - SQR SERIES

Housing is one-piece aluminum. The welded and finished corners produce a clean, sharp appearance while increasing housing strength and ensuring weather-tight construction



DIMENSIONS



| | | | | | | | | | |
|------|------|------|------|------|------|------|------|------|------|
| 23.6 | 46.5 | 62.6 | 67.0 | 70.5 | 69.2 | 69.0 | 62.5 | 50.1 | 25.8 |
| 32.0 | 66.1 | 90.0 | 95.1 | 101 | 97.9 | 98.7 | 89.0 | 72.4 | 35.6 |
| 35.0 | 70.8 | 96.2 | 102 | 108 | 106 | 106 | 95.5 | 77.4 | 39.0 |
| 35.1 | 67.4 | 90.5 | 97.6 | 102 | 101 | 100 | 90.6 | 72.0 | 38.1 |
| 35.1 | 67.4 | 90.5 | 97.6 | 102 | 101 | 100 | 90.6 | 72.0 | 38.1 |
| 35.0 | 70.8 | 96.2 | 102 | 108 | 106 | 106 | 95.5 | 77.4 | 39.0 |
| 32.0 | 66.1 | 90.0 | 95.1 | 101 | 97.9 | 98.7 | 89.0 | 72.4 | 35.6 |
| 23.6 | 46.5 | 62.6 | 67.0 | 70.5 | 69.2 | 69.0 | 62.5 | 50.1 | 25.8 |

TYPICAL SERVICE STATION LAYOUT. MOUNTING HEIGHT IS 14 FEET. PHOTOMETRIC DATA WITH 400 WATT CLEAR SUPER METAL HALIDE - 40,000 LUMEN RATING.

Consult factory for complete photometric data or IES format diskettes. Application assistance and project layout service available.

SPERO
LIGHTING



THE SPERO ELECTRIC CORPORATION 1705 NOBLE ROAD CLEVELAND, OHIO 44112
(216) 851-3300 - PHONE (216) 851-0300 - FAX <http://www.sperolighting.com> SQR-2