

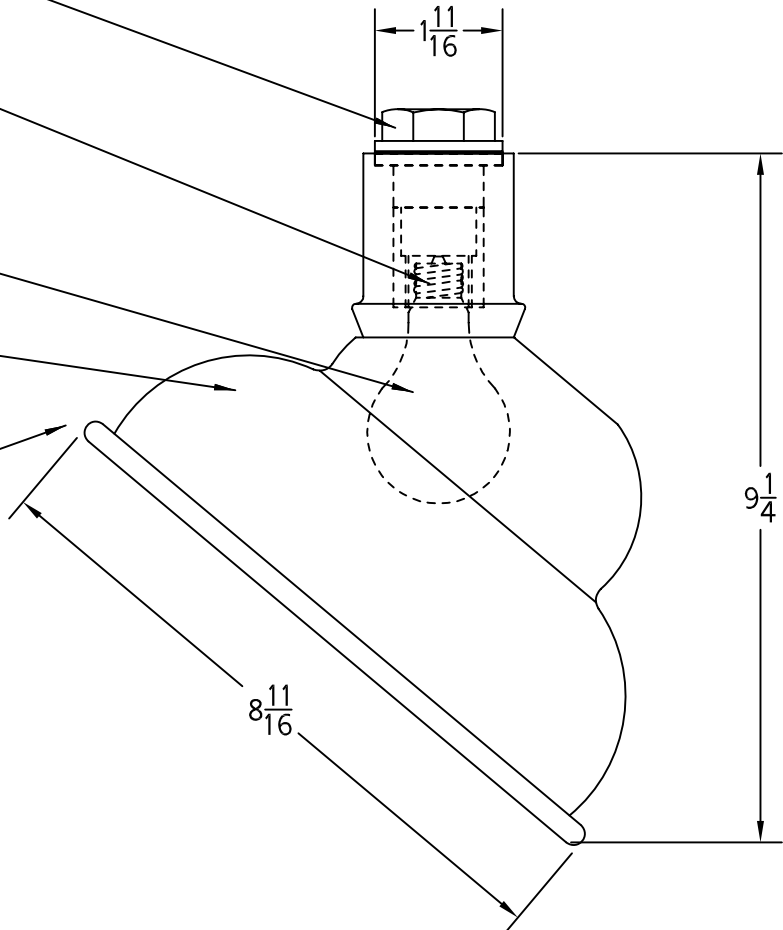
MOUNTING HUB - CAST ZINC
 WITH 1/2 OR 3/4-14 N.P.T.
 THREADS TO ACCEPT STEM, OR
 CORD STRAIN RELIEF

TWO PIECE FRONT WIRING HEAVY-DUTY
 MEDIUM BASE PORCELAIN LAMPHOLDER
 WITH SPRING LOADED CENTER CONTACT
 AND LAMP GRIP NICKEL PLATED
 SCREW SHELL

LAMP TYPES: A, G, PS, R AND PAR TYPES
 150 WATTS MAXIMUM A-19 SHOWN

PRECISION SPUN ALUMINUM REFLECTOR
 WITH ELECTROSTATICALLY APPLIED AND
 THERMALLY CURED POLYESTER POWDER
 COAT FINISH-WHITE STANDARD

TURNED IN BOTTOM ADDS STRENGTH
 AND PREVENTS THE COLLECTION OF DIRT



LISTED FOR WET LOCATIONS
 APPROVED FOR CANADIAN USE

RLM EMBLEM SIGN No. 6210

DRAWING NUMBER		CAD-1426	
Drawn by:	Date: 09-05-96	Drawing Units: INCHES	Scale: 3/8
THE SPERO ELECTRIC CORPORATION			
1790 MILLER PARKWAY STREETSBORO, OHIO 44241			
PHONE: (330) 995-3050 FAX: (330) 995-3051			