

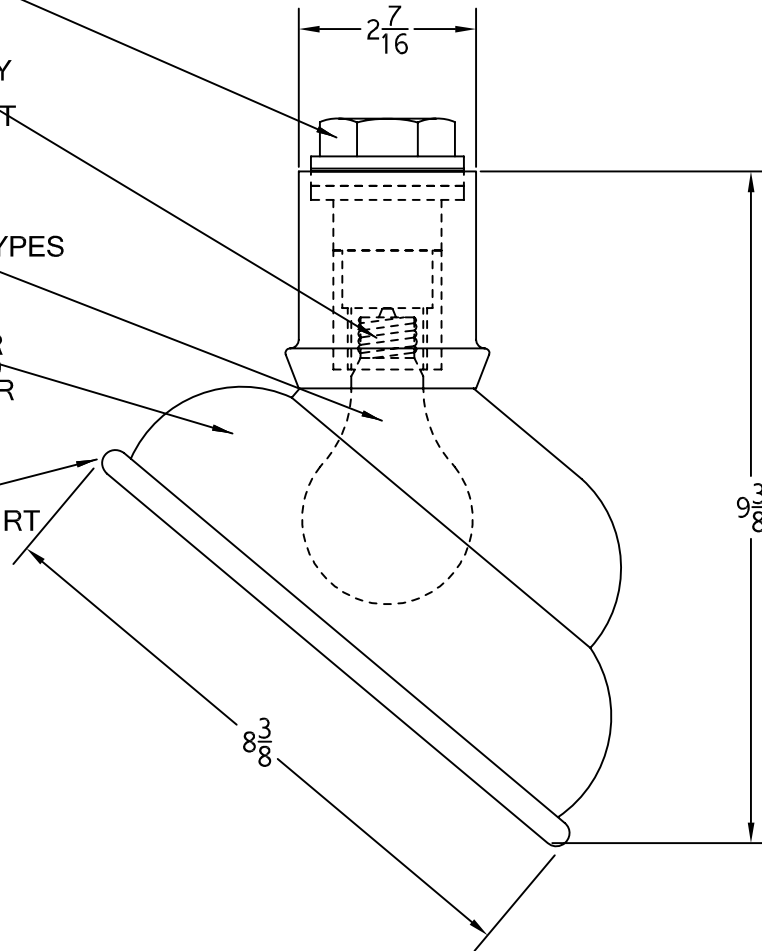
MOUNTING HUB - CAST ZINC
WITH 1/2 OR 3/4-14 N.P.T.
THREADS TO ACCEPT STEM, OR
CORD STRAIN RELIEF

TWO PIECE FRONT WIRING HEAVY-DUTY
MEDIUM BASE PORCELAIN LAMPHOLDER
WITH SPRING LOADED CENTER CONTACT
AND LAMP GRIP NICKEL PLATED
SCREW SHELL

LAMP TYPES: A, G, PS, R AND PAR TYPES
100 WATTS MAXIMUM A-19 SHOWN

PRECISION SPUN ALUMINUM REFLECTOR
WITH ELECTROSTATICALLY APPLIED AND
THERMALLY CURED POLYESTER POWDER
COAT FINISH-WHITE STANDARD

TURNED IN BOTTOM ADDS STRENGTH
AND PREVENTS THE COLLECTION OF DIRT



LISTED FOR WET LOCATIONS
APPROVED FOR CANADIAN USE

RLM EMBLEM SIGN No. 6208

DRAWING NUMBER CAD-1425

Drawn by:	Date: 09-04-96	Drawing Units: INCHES	Scale: 3/8
-----------	-------------------	--------------------------	---------------

THE SPERO ELECTRIC CORPORATION
1790 MILLER PARKWAY STREETSBORO, OHIO 44241
PHONE: (330) 995-3050 FAX: (330) 995-3051