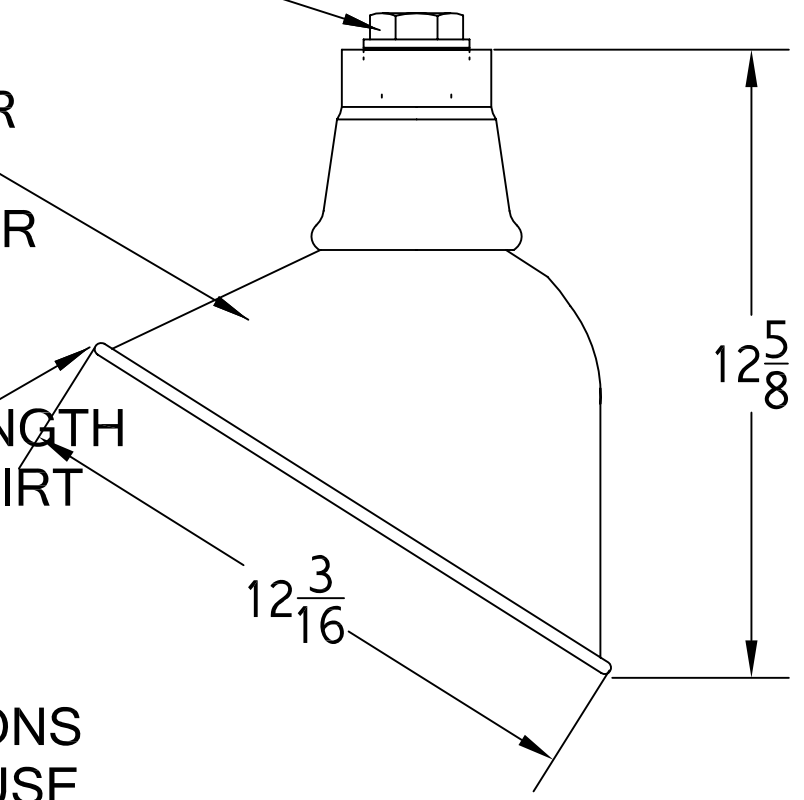


MOUNTING HUB - CAST ZINC  
WITH 1/2-14 OR 3/4-14 N.P.T.  
THREADS TO ACCEPT STEM, OR  
CORD STRAIN RELIEF

PRECISION SPUN ALUMINUM REFLECTOR  
WITH ELECTROSTATICALLY APPLIED AND  
THERMALLY CURED POLYESTER POWDER  
COAT FINISH-WHITE STANDARD

TURNT IN BOTTOM BEAD ADDS STRENGTH  
AND PREVENTS THE COLLECTION OF DIRT



LISTED FOR DAMP LOCATIONS  
APPROVED FOR CANADIAN USE

## *RLM ANGLE REFLECTOR No. 612*

DRAWING NUMBER CAD-1467

Drawn by:	Date: 9-17-96	Drawing Units: INCHES	Scale: 1/4
-----------	------------------	--------------------------	---------------

**THE SPERO ELECTRIC CORPORATION**

1790 MILLER PARKWAY STREETSBORO, OHIO 44241  
PHONE: (330) 995-3050 FAX: (330) 995-3051