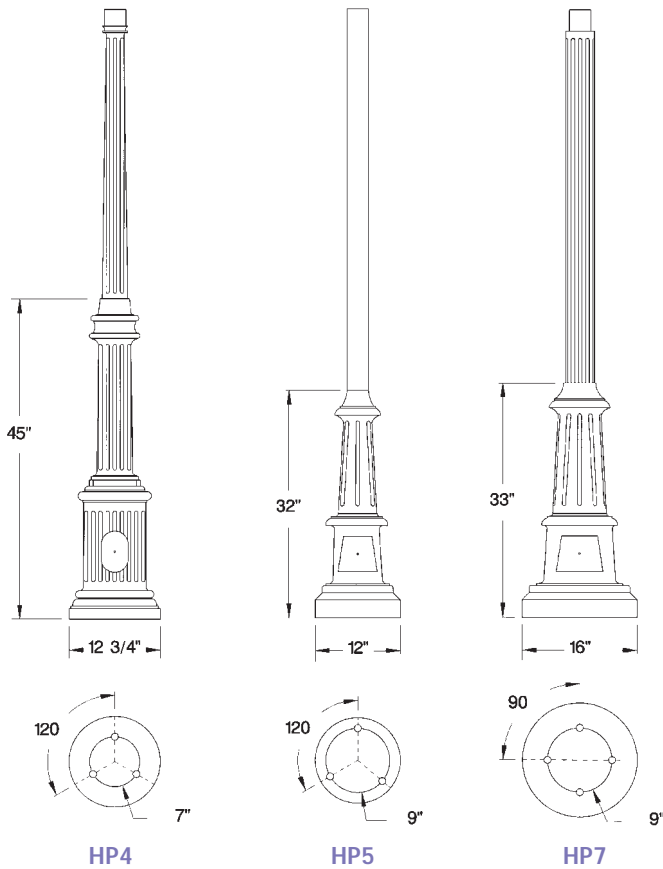


HERITAGE COLLECTION DECORATIVE POLES FOR USE WITH RLM REFLECTORS



HP1, HP2, HP3, HP4,

High grade cast aluminum base.
Deep fluted base combines with 4 shaft styles.

HP5

High grade cast aluminum base.
Decorative base combines with 3" diameter straight shaft.

HP6, HP7

High grade cast aluminum base.
Decorative base combines with 4" diameter straight or fluted shaft.

- Hand hole, grounding lug, anchor bolts and template provided.
- Standard 3" O.D. tenon or shaft accepts all styles of RLM pole top brackets.
- Hand hole is 9" above pole bottom.

Cat.No.	Height	Shaft Type	Bolt Circle	Bolt Size	POLE LOAD RATING (Fixture E.P.A.) with 1.3 Gust factor				Options
					70MPH	80MPH	90MPH	100MPH	
HP1	8'-0"	3" O. D. Straight	7"	1/2"X15"	14.7	11.1	8.7	6.9	DBP Dark bronze BLP Black WHP White TP Tamper proof hand hole screws DPLX Weathertight duplex receptacle GFI Ground fault interrupting W.T. duplex receptacle GVBT Galvanized anchor bolts CC Custom Color (Consult factory)
	10'-0"				9.3	7.2	5.5	4.3	
HP2	8'-0"	4" O. D. Straight			25.9	19.6	15.3	12.3	
	10'-0"				18.1	13.6	10.5	8.3	
HP3	7'-2"	4"-3" Fluted/Tapered			28.1	21.4	16.8	13.5	
HP4	8'-0"	4" O. D. Fluted			22.3	16.9	14.9	10.6	
	10'-0"				14.6	10.9	8.4	8.0	
HP5	8'-0"	3" O. D. Straight			11.5	8.6	6.7	5.3	
	10'-0"		7.9	5.8	4.4	3.4			
	12'-0"		5.5	3.9	2.8	2.1			
HP6	8'-0"	4" O. D. Straight	21.9	16.5	12.9	10.3			
	10'-0"		15.3	11.4	8.8	6.9			
	12'-0"		10.8	7.9	6.0	4.5			
	14'-0"		7.9	5.6	4.2	2.9			
HP7	8'-0"	4" O. D. Fluted	17.8	13.4	10.4	8.2			
	10'-0"		12.3	9.1	7.0	5.4			
	12'-0"		8.6	6.2	4.6	3.4			
	14'-0"		6.1	4.2	3.0	2.7			

EXAMPLE OF TYPICAL ORDER

HPI • 10 • WHP • TP • DPLX • GVBT