

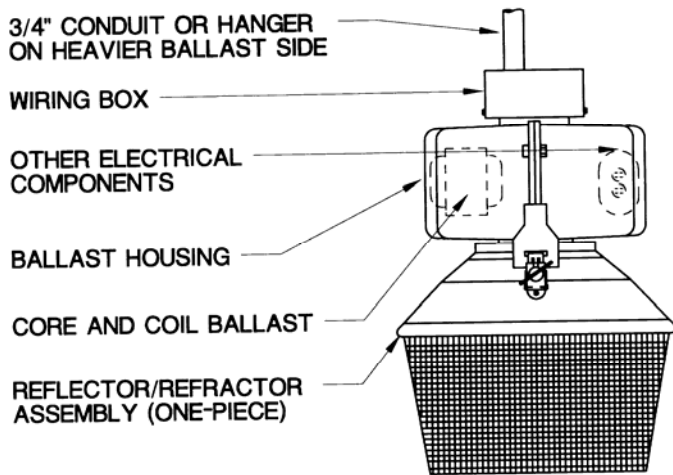
# INSTALLATION INSTRUCTIONS FOR 12" DIAMETER LOWBAY BALLA HI™ SERIES 4000 Model No. **BH7**

### TOOLS REQUIRED:

- 1) Medium straight blade screwdriver or 1/4" nut driver.
- 2) Large straight blade screwdriver or 3/8" nut driver
- 3) 7/16" wrench or nut driver.

### PARTS SUPPLIED:

- 1) Ballast housing with attached fastener plates.
- 2) Wiring box and cover plate - may have optional hook, cord and plug attached. The mounting screws for the wiring box and cover plate are installed in their intended positions in the ballast housing. These will have to be removed for installation.
- 3) One-piece 12" anodized aluminum or white powder coated reflector with acrylic refractor and two pre-attached wing clamp fasteners. (Packed separately)

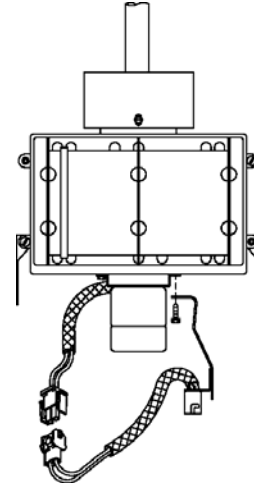


### TO ASSEMBLE THE BALLAST HOUSING:

- 1) Remove the wiring box attachment screws from the ballast housing and mount wiring box. Make sure that the box is positioned so that the top conduit entry is over the heavier side of the ballast housing. This will allow for fixture balance.
- 2) Verify that the supply voltage matches that on fixture rating label, and that the yellow "hot" lead is marked with its appropriate input voltage. In the case of a multi-tap ballast, the 277 volt input is stripped for use unless a specific wiring arrangement is ordered. If the primary voltage is to be changed in the field, make sure the unused input leads are insulated as these will become energized when the ballast is connected to supply voltage.
- 3) Once the wiring is confirmed and connections are made, carefully tuck wires into the wiring box. Make sure not to pinch them between the ballast housing flange and the wiring box.
- 4) Attach cover plate.

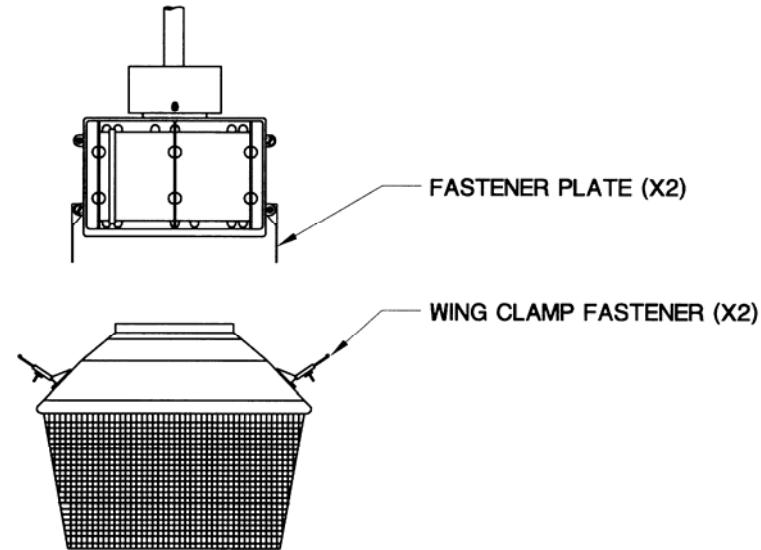
### WHEN AUTO-SAFE IS USED:

- 1). Remove one socket bracket screw.
- 2). Place screw through Auto-Safe bracket and affix to Ballast Housing.
- 3). Attach Male end of wire harness to Female end of harness.



### TO ATTACH THE REFLECTOR:

- 1) Mount the ballast housing on top of the reflector/refractor assembly.
- 2) Attach the two wing clamp fasteners to the fastener plates. Secure the reflector/refractor assembly by turning the wing clamp keys 90 degrees and folding over the key towards the reflector/refractor assembly.



### SPACING CRITERION FOR BH7 USING CLEAR LAMPS

ED-17 70-175W METAL HALIDE (CLOSED ) 2.5	ED-17 70-175W HIGH PRES. SODIUM (OPEN) 2.8
---	---