

INSTALLATION INSTRUCTIONS FOR 25" DIAMETER OPEN BOTTOM HIGHBAY BALLA HI™ SERIES 4000 Model No. **BH525**

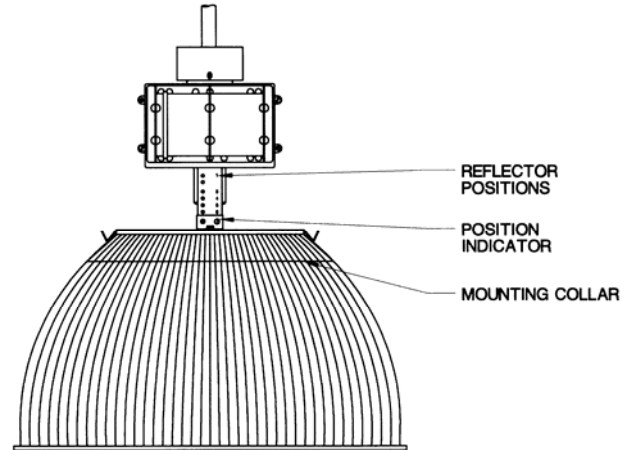
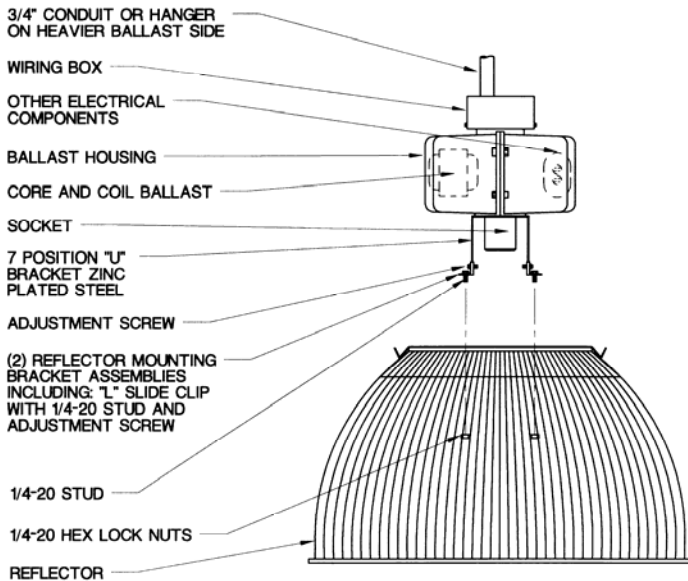
TOOLS REQUIRED:

- 1) Medium straight blade screwdriver or 1/4" nut driver.
- 2) Large straight blade screwdriver or 3/8" nut driver
- 3) 7/16" wrench or nut driver.

PARTS SUPPLIED:

- 1) Ballast housing with 7 position "U" bracket attached.
- 2) Wiring box and cover plate - may have optional hook, cord and plug attached. The mounting screws for the wiring box and cover plate are installed in their intended positions in the ballast housing. These will have to be removed for installation.
- 3) A hardware pack with 2 reflector mounting assemblies. Each assembly consists of an "L" bracket with a pre-attached adjustment screw and a 1/4-20 stud. A 1/4-20 nut is supplied to mount the reflector.
- 4) 25" prismatic acrylic reflector. (Packed separately)

- 1) Loosen the the small adjustment screws from the "L" brackets enough to allow the "L" bracket to slide over the "U" bracket.
- 2) Slide the "L" clips to the desired position on the "U" bracket. See chart for light distributions available.
- 3) The reflector position numeral should appear in the position indicator.
- 4) After confirming proper position, tighten the screws completely.
- 5) Attach reflector to the studs at the bottom of the "L" clips through the two largest holes in the top of the reflector using the 1/4-20 nuts supplied.



SPACING CRITERION FOR BH525 USING COATED LAMPS

POSITION SETTING	ED-37 400W METAL HALIDE (COATED)	E-25 1000W METAL HALIDE (COATED)	ED-37 400W HIGH PRES. SODIUM (DIFFUSE)	E-25 1000W HIGH PRES. SODIUM (DIFFUSE)
1	N/A	N/A	N/A	N/A
2	1.8	N/A	N/A	N/A
3	13	N/A	N/A	N/A
4	1.1	N/A	N/A	N/A
5	N/A	1.8	N/A	N/A
6	N/A	N/A	N/A	N/A
7	N/A	1.3	N/A	N/A

TO ASSEMBLE THE BALLAST HOUSING:

- 1) Remove the wiring box attachment screws from the ballast housing and mount wiring box. Make sure that the box is positioned so that the top conduit entry is over the heavier side of the ballast housing. This will allow for fixture balance.
- 2) Verify that the supply voltage matches that on fixture rating label, and that the yellow "hot" lead is marked with its appropriate input voltage. In the case of a multi-tap ballast, the 277 volt input is stripped for use unless a specific wiring arrangement is ordered. If the primary voltage is to be changed in the field, make sure the unused input leads are insulated as these will become energized when the ballast is connected to supply voltage.
- 3) Once the wiring is confirmed and connections are made, carefully tuck wires into the wiring box. Make sure not to pinch them between the ballast housing flange and the wiring box.
- 4) Attach cover plate.

ATTACH THE REFLECTOR: