

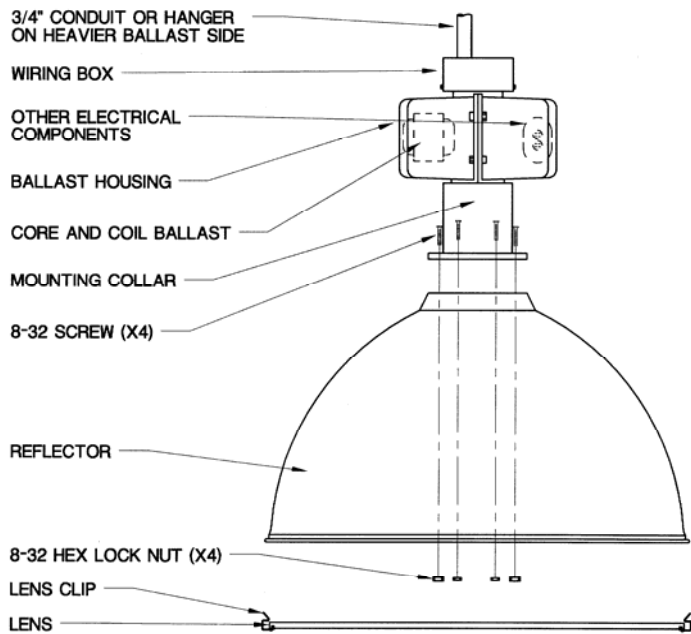
# INSTALLATION INSTRUCTIONS FOR 16" DIAMETER CLOSED BOTTOM HIGHBAY BALLA HI™ SERIES 4000 Model No. **EBH2-4GL-24**

## TOOLS REQUIRED:

- 1) Medium straight blade screwdriver or 1/4" nut driver.
- 2) Large straight blade screwdriver or 3/8" nut driver
- 3) 7/16" wrench or nut driver.

## PARTS SUPPLIED:

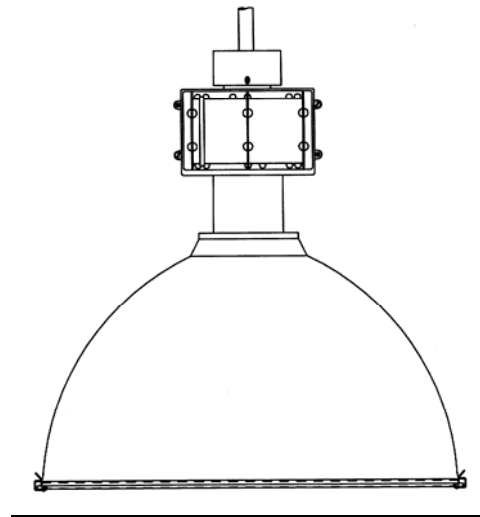
- 1) Ballast housing with mounting collar attached.
- 2) Wiring box and cover plate - may have optional hook, cord and plug attached. The mounting screws for the wiring box and cover plate are installed in their intended positions in the ballast housing. These will have to be removed for installation.
- 3) A hardware pack with four 8-32 screws and four 8-2 nuts.
- 4) 16" anodized aluminum or white powder coated reflector. (Packed seperately)
- 5) 16" lens assembly.



- 3) Once the wiring is confirmed and connections are made, carefully tuck wires into the wiring box. Make sure not to pinch them between the ballast housing flange and the wiring box.
- 4) Attach cover plate.

## ATTACH THE REFLECTOR:

- 1) Mount the ballast housing with attached collar onto the top of the reflector so that the four holes in the collar are centered with the four holes in the top of the reflector.
- 2) Sleeve the four 8-32 screws through the aligned holes and thread them with the 8-32 nuts. Sufficiently tighten.



## ATTACH THE LENS:

- 1) Secure the flat glass lens to the reflector by clasping the lens clips over the lip of the reflector.

## TO ASSEMBLE THE BALLAST HOUSING:

- 1) Remove the wiring box attachment screws from the ballast housing and mount wiring box. Make sure that the box is positioned so that the top conduit entry is over the heavier side of the ballast housing. This will allow for fixture balance.
- 2) Verify that the supply voltage matches that on fixture rating label, and that the yellow "hot" lead is marked with its appropriate input voltage. In the case of a multi-tap ballast, the 277 volt input is stripped for use unless a specific wiring arrangement is ordered. If the primary voltage is to be changed in the field, make sure the unused input leads are insulated as these will become energized when the ballast is connected to supply voltage.