

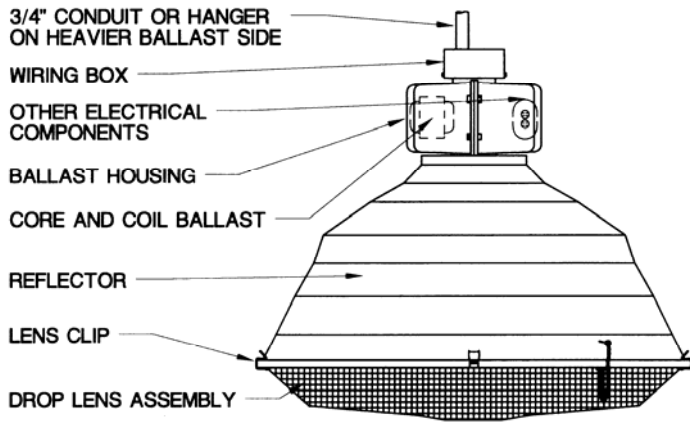
INSTALLATION INSTRUCTIONS FOR 31" DIAMETER LOWBAY BALLA HI™ SERIES 4000 Model No. **BH10**

TOOLS REQUIRED:

- 1) Medium straight blade screwdriver or 1/4" nut driver.
- 2) Large straight blade screwdriver or 3/8" nut driver
- 3) 7/16" wrench or nut driver.

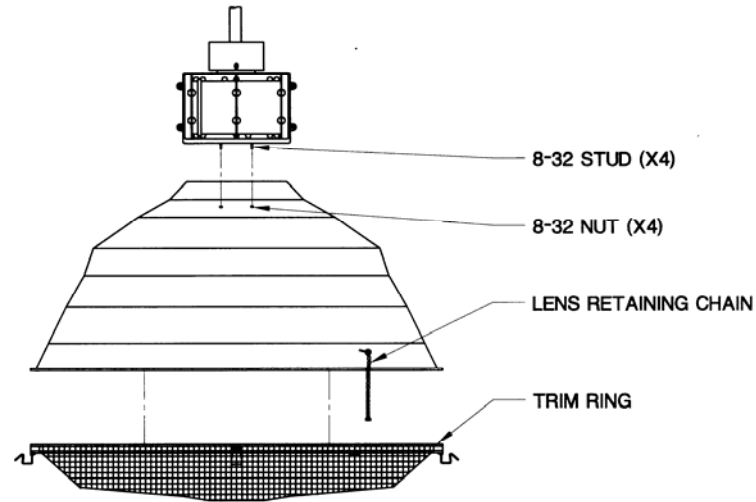
PARTS SUPPLIED:

- 1) Ballast housing with fastener plates and four 8-32 studs attached.
- 2) Wiring box and cover plate - may have optional hook, cord and plug attached. The mounting screws for the wiring box and cover plate are installed in their intended positions in the ballast housing. These will have to be removed for installation.
- 3) A hardware pack consisting of four 8-32 nuts is supplied to mount the reflector.
- 4) One 31" white powder coated reflector and one 22" drop lens assembly.
(Packed separately)



ATTACH THE REFLECTOR:

- 1) Mount the ballast housing on top of the reflector assembly so that the four ballast housing studs sleeve through the holes provided in the top of the reflector.
- 2) Thread and secure the four 8-32 nuts onto the ballast housing studs by gaining access from the open bottom of the reflector assembly
- 3) Secure the drop lens assembly to the reflector by clasping the lens clips over the lip of the reflector.
- 4) Attach the end of lens retaining chain to the anchor located on the trim ring.



SPACING CRITERION FOR BH10 USING CLEAR LAMPS

ED-28 250W METAL HALIDE	ED-37 400W METAL HALIDE	ED-18 250-400W HIGH PS. SODIUM
1.8	1.8	1.9

TO ASSEMBLE THE BALLAST HOUSING:

- 1) Remove the wiring box attachment screws from the ballast housing and mount wiring box. Make sure that the box is positioned so that the top conduit entry is over the heavier side of the ballast housing. This will allow for fixture balance.
- 2) Verify that the supply voltage matches that on fixture rating label, and that the yellow "hot" lead is marked with its appropriate input voltage. In the case of a multi-tap ballast, the 277 volt input is stripped for use unless a specific wiring arrangement is ordered. If the primary voltage is to be changed in the field, make sure the unused input leads are insulated as these will become energized when the ballast is connected to supply voltage.
- 3) Once the wiring is confirmed and connections are made, carefully tuck wires into the wiring box. Make sure not to pinch them between the ballast housing flange and the wiring box.
- 4) Attach cover plate.